

25 Year System Warranty

US Conec MTP connectors

OM3, OM4 and OS2 available

Manufactured to length

**Features**

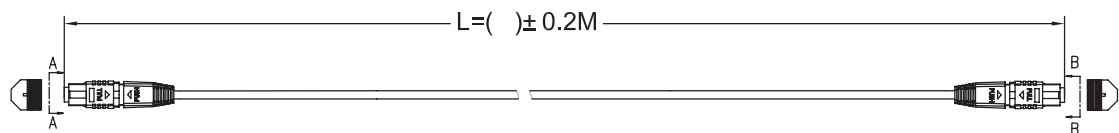
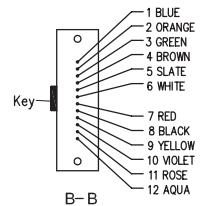
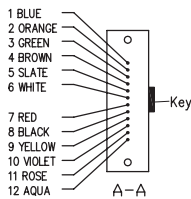
- US Conec MTP connectors used
- 12 Core Connectors
- 12 to 96 Core available (multiple MTPs)
- OM3, OM4 or OS2
- Factory tested
- 25 Year System Warranty

**Product Overview**

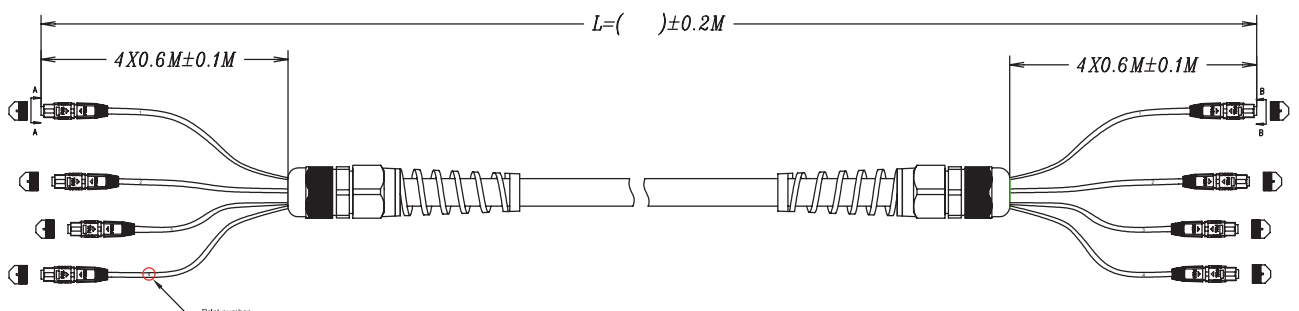
The Excel MTP® Trunk Cables offer pre-terminated optical fibre that is factory tested in a range of core counts. The trunk cable is manufactured with multiple, 12 core MTP connectors to give 12, 24, 36, 48, 72 or 96 core cables. The US Conec MTP® connector has been chosen as the MPO (Multiple-Fibre Push-On/Pull-off) for superior performance. Each cable is tested in the factory and is supplied with the test certificate. Each end of the cable has the MTP® connector(s) protected with a flexible hose.

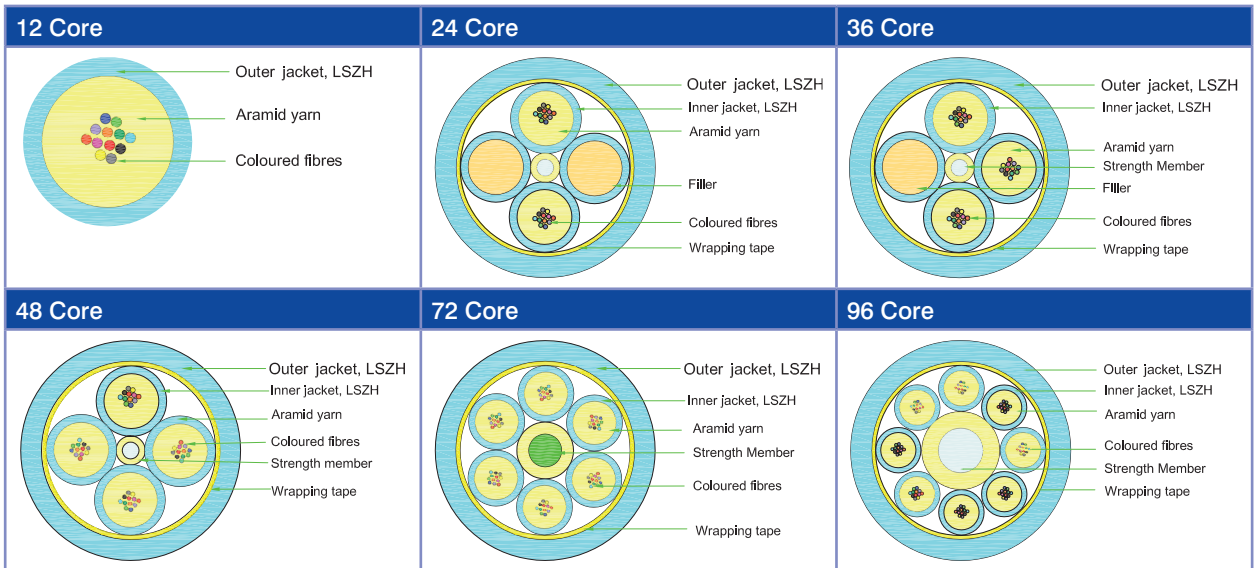
The trunk cable assemblies are available in OM3, OM4 and OS2. Bespoke lengths are offered (to the nearest metre). In the case of the 24 core and greater the cable is constructed of multi-core units.

**12 Core MTP Trunk Cable**



**48 Core MTP Trunk Cable**





### Performance Overview

Excel fibre optic trunk cables are designed and manufactured to ensure that the optimum performance is possible from the installed fibre links.

### Performance / Specification Table

#### Physical Characteristics

| Number of Fibre Cores         | 12                        | 24                         | 36       | 48       | 72        | 96        |
|-------------------------------|---------------------------|----------------------------|----------|----------|-----------|-----------|
| Number of MTP Connectors      | 1                         | 2                          | 3        | 4        | 6         | 8         |
| Nominal diameter              | 3 mm                      | 9 mm                       | 9 mm     | 9 mm     | 11.2 mm   | 13.5 mm   |
| Maximum pulling tension       |                           |                            |          |          |           |           |
| Long term                     | 80 N                      | 160 N                      | 160 N    | 200 N    | 300 N     | 300 N     |
| Short term                    | 150 N                     | 300 N                      | 300 N    | 600 N    | 1000 N    | 1000 N    |
| Weight                        | 7.8 kg/km                 | 72 kg/km                   | 78 kg/km | 79 kg/km | 126 kg/km | 178 kg/km |
| Operational temperature range | -20°C to +70°C            |                            |          |          |           |           |
| Crush resistance              | 500 N/100 mm <sup>2</sup> | 1000 N/100 mm <sup>2</sup> |          |          |           |           |
| Minimum bend radius           |                           |                            |          |          |           |           |
| Dynamic 30 x Ø                | 90 mm                     | 270 mm                     | 270 mm   | 270 mm   | 336 mm    | 405 mm    |
| Static 15 x Ø                 | 45 mm                     | 135 mm                     | 135 mm   | 135 mm   | 168 mm    | 202.5 mm  |
| Jacket                        | LSZH                      |                            |          |          |           |           |

#### Optical Performance

##### OM3 & OM4 – Multimode

|                      |                          |
|----------------------|--------------------------|
| Modal-Field Diameter | 5 ± 2.5 μm<br>125 ± 1 μm |
| Numerical Aperture   | 0.20 ± 0.015 μm          |

| Category | Size     | Bandwidth         |            |                        |
|----------|----------|-------------------|------------|------------------------|
|          |          | Overfilled launch |            | Effective laser launch |
|          |          | 850 nm            | 1300 nm    | 850 nm                 |
| OM3      | 50/125μm | 1500 MHz.km       | 500 MHz.km | 2000 MHz.km            |
| OM4      | 50/125μm | 3500 MHz.km       | 500 MHz.km | 4700 MHz.km            |

## Optical Performance

### OS2 – Singlemode

|                      |  |
|----------------------|--|
| Modal-Field Diameter | $9 \pm 0.4 \mu\text{m}$<br>$125 \pm 0.7 \mu\text{m}$ |
| Numerical Aperture   | $0.20 \pm 0.015$                                     |

| Wavelength | Maximum attenuation |
|------------|---------------------|
|            | OS2                 |
| 1310 nm    | 0.4 dB/km           |
| 1383 nm    | 0.4 dB/km           |
| 1550 nm    | 0.4 dB/km           |

## System Warranty

When installed with Excel Patch Panels and Data Outlets by an accredited Excel Cabling Partner, this product is supported by a comprehensive 25 year product and applications warranty.

## Typical Applications

|                      |                     | OM3   | OM4   | OS2      |
|----------------------|---------------------|-------|-------|----------|
| Gigabit Ethernet     | 1000BASE-SX         | 550 m | 550 m |          |
|                      | 1000BASE-LX         |       |       | 5,000 m  |
| 10 Gigabit Ethernet  | 10GBASE-SR/SW       | 300 m | 300 m |          |
|                      | 10GBASE-LX4 & LR/LW |       |       | 10,000 m |
|                      | 10GBASE-ER/EW       |       |       | 22,250 m |
| 40 Gigabit Ethernet  | 40GBASE-SR4         | 100 m | 150 m |          |
| 100 Gigabit Ethernet | 100GBASE-SR10       | 100 m | 150 m |          |
|                      | 100GBASE-LR4        |       |       | 10,000 m |
|                      | 100GBASE-ER4        |       |       | 40,000 m |

## Part Number Information

| Part No.            | Description                             |
|---------------------|---|
| 208-OM3-yyC-MTP-xxx | Excel OM3 yy Core MTP Trunk Cable xxx m |
| 208-OM4-yyC-MTP-xxx | Excel OM4 yy Core MTP Trunk Cable xxx m |
| 208-OS2-yyC-MTP-xxx | Excel OS2 yy Core MTP Trunk Cable xxx m |

yy = core size (12, 24, 36, 48, 72 or 96)

xxx = length in metres (to the nearest metre)

e.g. 208-OM3-48C-MTP-150

Excel OM3 48 Core MTP Trunk Cable 150 m

## Part Number Information

| Part No. | Description  |
|----------|--|
| 208-001  | Excel Fibre Optic Cassette Patch Panel (Unloaded)            |
| 208-005  | Excel Fibre Optic Cassette OM3 MTP to 6 Duplex LC – 12 Core  |
| 208-006  | Excel Fibre Optic Cassette OM3 MTP to 12 Duplex LC – 24 Core |
| 208-007  | Excel Fibre Optic Cassette OM4 MTP to 6 Duplex LC – 12 Core  |
| 208-008  | Excel Fibre Optic Cassette OM4 MTP to 12 Duplex LC – 24 Core |
| 208-009  | Excel Fibre Optic Cassette OS2 MTP to 6 Duplex LC – 12 Core  |
| 208-010  | Excel Fibre Optic Cassette OS2 MTP to 12 Duplex LC – 24 Core |



Excel is a complete, end-to-end networking solution, offering exceptional performance and support, manufactured to European quality standards and covered by one warranty.

Contact us at [sales@excel-networking.com](mailto:sales@excel-networking.com)

[WWW.EXCEL-NETWORKING.COM](http://WWW.EXCEL-NETWORKING.COM)