

25 Year System Warranty

LC to MTP Factory Terminated

6 or 12 LC Duplex Ports

OM3, OM4 or OS2

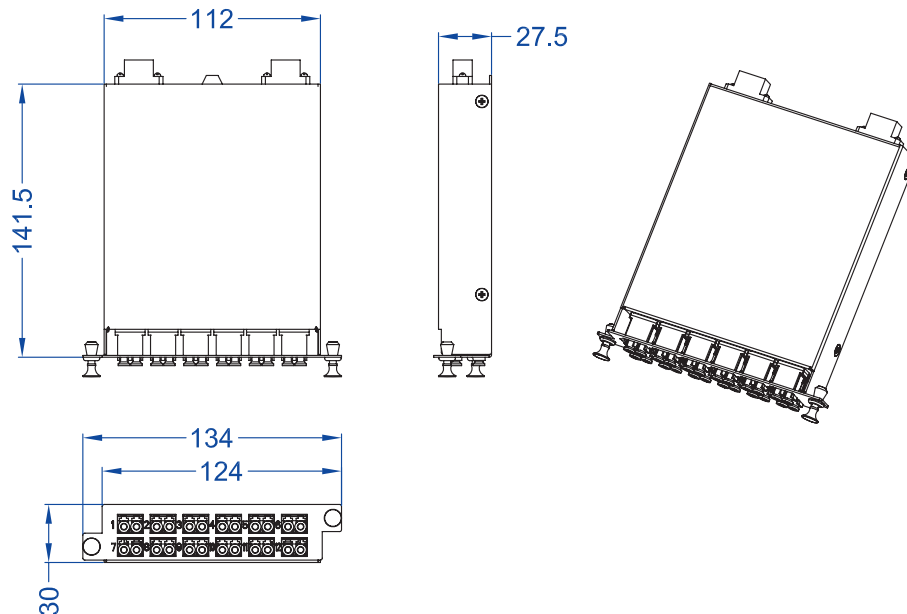
Features

- Factory terminated and tested
- US Conec MTP Connectors
- 6 or 12 Duplex LC Ports
- OM3, OM4 or OS2
- 25 Year System Warranty
- Compatible with Excel Fibre Optic Cassette Patch Panel
- Test certificate supplied

Product Overview

The Excel Fibre Optic MTP® Cassette mounts directly into the Excel Fibre Optic Cassette Patch Panel for mounting into a 19" cabinet. This range of products have been designed and manufactured to support both the pre-terminated and the emerging 40/100 Gigabit Ethernet fibre optic installations. The cassettes are terminated with the superior quality US Conec MTP® connector. Both 6 and 12 Duplex LC (12 and 24 core) cassettes are available. The 6 Duplex Port having one MTP® connector on the rear and the 12 Duplex Port version having two. The cassettes are factory terminated and tested ensuring optimal performance when connected to the desired Excel MTP Trunk Cable (detailed on a separate specification sheet). Simply inspect the MTP end faces of the cable and cassette and connect.

OM3, OM4 and OS2 categories of fibre optic cassettes are available depending on the desired class of channel. The Fibre Optic Cassette Patch Panel accepts up to 3 off cassettes allowing the ability to expand the installation in the future with very low risk to the installed network. The patch panel also allows different categories of fibre optics to be presented together in the same cabinet 'U' space.



Performance / Specification Table

Optical Performance

OM3 & OM4 – Multimode

Modal-Field Diameter	5 ± 2.5 μm 125 ± 1 μm
Numerical Aperture	0.20 ± 0.015 μm

Category	Size	Bandwidth		
		Overfilled launch		Effective laser launch
		850 nm	1300 nm	850 nm
OM3	50/125 μ m	1500 MHz.km	500 MHz.km	2000 MHz.km
OM4	50/125 μ m	3500 MHz.km	500 MHz.km	4700 MHz.km

OS2 – Singlemode

Modal-Field Diameter	9 \pm 0.4 μ m 125 \pm 0.7 μ m
Numerical Aperture	0.20 \pm 0.015 μ m

Wavelength	Maximum attenuation
	OS2
1310 nm	0.4 dB/km
1383 nm	0.4 dB/km
1550 nm	0.4 dB/km

System Warranty

When installed with Excel Patch Panels and Data Outlets by an accredited Excel Cabling Partner, this product is supported by a comprehensive 25 year product and applications warranty.

Typical Applications

		OM3	OM4	OS2
Gigabit Ethernet	1000BASE-SX	550 m	550 m	
	1000BASE-LX			5,000 m
10 Gigabit Ethernet	10GBASE-SR/SW	300 m	300 m	
	10GBASE-LX4 & LR/LW			10,000 m
	10GBASE-ER/EW			22,250 m
40 Gigabit Ethernet	40GBASE-SR4	100 m	150 m	
100 Gigabit Ethernet	100GBASE-SR10	100 m	150 m	
	100GBASE-LR4			10,000 m
	100GBASE-ER4			40,000 m

Part Number Information

Part No.	Description
208-005	Excel Fibre Optic Cassette OM3 MTP to 6 Duplex LC – 12 Core
208-006	Excel Fibre Optic Cassette OM3 MTP to 12 Duplex LC – 24 Core
208-007	Excel Fibre Optic Cassette OM4 MTP to 6 Duplex LC – 12 Core
208-008	Excel Fibre Optic Cassette OM4 MTP to 12 Duplex LC – 24 Core
208-009	Excel Fibre Optic Cassette OS2 MTP to 6 Duplex LC – 12 Core
208-010	Excel Fibre Optic Cassette OS2 MTP to 12 Duplex LC – 24 Core

Part Number Information – additional products

Part No.	Description
208-001	Excel Fibre Optic Cassette Patch Panel (Unloaded)
	Excel MTP Trunk Cables – refer to separate specification sheet



Virtware - Sol. Int. Telecomunicações, Lda
Rua dos Canastreiros, 394
4400-404 Canidelo VNG, Portugal

Tel: +351 918205881
Email: info@virtware.pt Web: www.virtware.pt